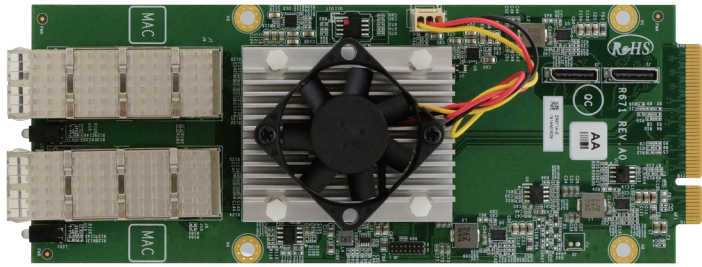


R672

Network Expansion Module



► Features

- 1x Intel® E810-CAM1
- 4x SFP28 25GbE Ports
- Support ADQ, DDP, DPDK, RDMA, SR-IOV, VMDq



► Introduction

AEWIN R672 Network Expansion Module is built upon the Intel® E810-CAM1 chipset, featuring 4x 25GbE SFP28 ports. SR-IOV functionality is enabled to offer DMA access for virtual machines, as well as DPDK enabled drivers for enhanced packet forwarding performance. Advanced function such as ADQ, iWARP and RoCE v2 are also available. Capable of supporting PCIe Gen 4 x8 connection, or utilizing an add-on module to enable PCIe Gen 3 x16 connection to support 100GbE in PCIe Gen 3 systems.

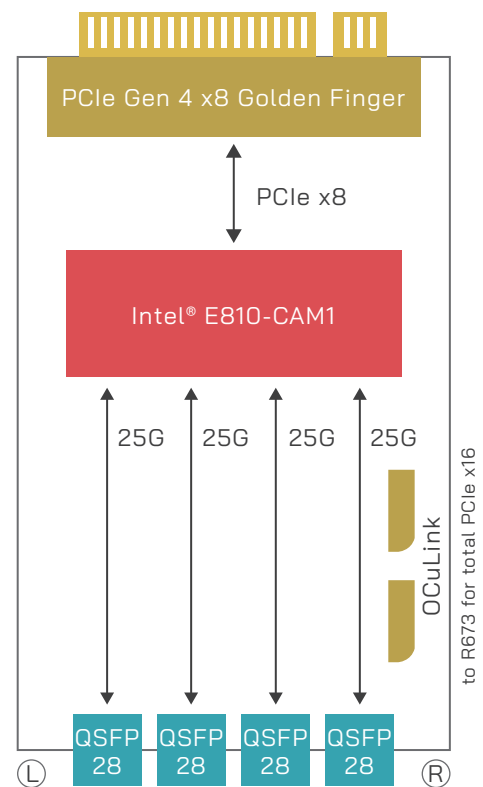
► Specification

Platform	
Form Factor	AEWIN Expansion Module
LAN Controller	1x Intel® E810-CAM1
LAN Switch	-
Features	ADQ, DDP, DPDK, RDMA, SR-IOV, VMDq
Ethernet Port	4x 25GbE SFP28 Ports
Bypass	-
Bus Type	PCIe Gen 4 x8
Mechanical	Dimension(W x D x H): 74 x 194 x 29 mm Weight(with tray): 335g Weight(without tray): 145g
Environmental	
Operating Environment	Temperature: 0-45°C(32-113°F) Humidity: 20-90% RH
Storage Environment	Temperature: 0 -70°C(14-158°F) Humidity: 5-95% RH @ 55°C
OS Support	Windows, Linux, FreeBSD

► Order Information

R672A	1x Intel® E810-CAM1, 4x 25GbE SFP28 Fiber, Ports Sequence Right to Left
-------	---

► Block Diagram



► LED



LED	State	Description
Upper LAN LED (LNK/ACT)	Green ■	Link: Always on Active: Blinking
Down LAN LED (Speed)	Green ■ Yellow ■	25 Gbps data rate below 25 Gbps data rate

R671+R673

► Block Diagram

